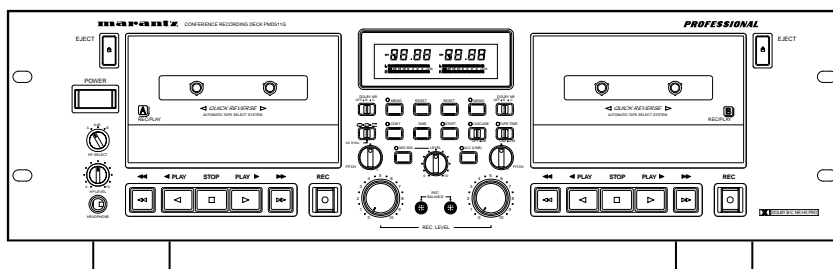


Service Manual

PMD511G/F1B

Conference Recording Deck



PMD511G/F1Bは、PMD511F Bのフロントパネル部分の機構部品、及びフロントFL回路基板(PY01)とその電気部品の変更、マイコンの変更、基板(PD01, PE01)上の一部の回路削除、一部のスイッチ変更及び削除された製品です。このサービスマニュアルには、PMD511F Bとの相違点部分のみを記載してあります。その他の部分はPMD511のサービスマニュアル(479T855010)を参照して下さい。

TABLE OF CONTENTS

1. SCHEMATIC DIAGRAM AND PARTS LOCATION 1
2. DIFFERENCE AND (PY01) ELECTRICAL PARTS LIST 8

修理の際は、必ず取扱説明書を準備し操作方法を確認の上作業を行って下さい。

marantz®

PMD511G

MARANTZ DESIGN AND SERVICE

Using superior design and selected high grade components, **MARANTZ** company has created the ultimate in stereo sound. Only original **MARANTZ** parts can insure that your **MARANTZ** product will continue to perform to the specifications for which it is famous.

Parts for your **MARANTZ** equipment are generally available to our National Marantz Subsidiary or Agent.

ORDERING PARTS :

Parts can be ordered either by mail or by Fax.. In both cases, the correct part number has to be specified.

The following information must be supplied to eliminate delays in processing your order :

1. Complete address
2. Complete part numbers and quantities required
3. Description of parts
4. Model number for which part is required
5. Way of shipment
6. Signature : any order form or Fax. must be signed, otherwise such part order will be considered as null and void.

USA

MARANTZ AMERICA, INC.
440 MEDINAH ROAD
ROSELLE, ILLINOIS 60172
USA
PHONE : 630 - 307 - 3100
FAX : 630 - 307 - 2687

EUROPE / TRADING

MARANTZ EUROPE B.V.
P.O.BOX 80002, BUILDING SFF2
5600 JB EINDHOVEN
THE NETHERLANDS
PHONE : +31 - 40 - 2732241
FAX : +31 - 40 - 2735578

BRAZIL

PHILIPS DA AMAZONIA IND. ELET. ITDA
CENTRO DE INFORMACOES AO
CEP 04698-970
SAO PAULO, SP, BRAZIL
PHONE : 0800 - 123123(Discagem Direta Gratuita)
FAX : +55 11 534. 8988

PROFESSIONAL AMERICAS

SUPERSCOPE TECHNOLOGIES, INC.
MARANTZ PROFESSIONAL PRODUCTS
2640 WHITE OAK CIRCLE, SUITE A
AURORA, ILLINOIS 60504 USA
PHONE : 630 - 820 - 4800
FAX : 630 - 820 - 8103

PROFESSIONAL AUSTRALIA

TECHNICAL AUDIO GROUP PTY, LTD
558 DARLING STREET,
BALMAIN, NSW 2041,
AUSTRALIA
PHONE : 61 - 2 - 9810 - 5300
FAX : 61 - 2 - 9810 - 5355

CANADA

LENBROOK INDUSTRIES LIMITED
633 GRANITE COURT,
PICKERING, ONTARIO L1W 3K1
CANADA
PHONE : 905 - 831 - 6333
FAX : 905 - 831 - 6936

AUSTRALIA

QualiFi Pty Ltd,
24 LIONEL ROAD,
MT. WAVERLEY VIC 3149
AUSTRALIA
PHONE : +61 - (0)3 - 9543 - 1522
FAX : +61 - (0)3 - 9543 - 3677

THAILAND

MRZ STANDARD CO.,LTD
746 - 754 MAHACHAI ROAD.,
WANGBURAPAPIROM, PHRANAKORN,
BANGKOK, 10200 THAILAND
PHONE : +66 - 2 - 222 9181
FAX : +66 - 2 - 224 6795

SINGAPORE

WO KEE HONG DISTRIBUTION PTE LTD
130 JOO SENG ROAD
#03-02 OLIVINE BUILDING
SINGAPORE 368357
PHONE : +65 858 5535 / +65 381 8621
FAX : +65 858 6078

NEW ZEALAND

WILDASH AUDIO SYSTEMS NZ
14 MALVERN ROAD MT ALBERT
AUCKLAND NEW ZEALAND
PHONE : +64 - 9 - 8451958
FAX : +64 - 9 - 8463554

TAIWAN

PAI- YUING CO., LTD.
6 TH FL NO, 148 SUNG KIANG ROAD,
TAIPEI, 10429, TAIWAN R.O.C.
PHONE : +886 - 2 - 25221304
FAX : +886 - 2 - 25630415

MALAYSIA

WO KEE HONG ELECTRONICS SDN. BHD.
SUITE 8.1, LEVEL 8, MENARA GENESIS,
NO. 33, JALAN SULTAN ISMAIL,
50250 KUALA LUMPUR, MALAYSIA
PHONE : +60 3 - 2457677
FAX : +60 3 - 2458180

JAPAN Technical

MARANTZ JAPAN, INC.
35- 1, 7- CHOME, SAGAMIONO
SAGAMIHARA - SHI, KANAGAWA
JAPAN 228-8505
PHONE : +81 42 748 1013
FAX : +81 42 741 9190

日本マランツ株式会社

本社 〒228-8505
神奈川県相模原市相模大野7-35-1
営業本部 〒150-0022
東京都渋谷区恵比寿南1-11-9

KOREA

MK ENTERPRISES LTD.
ROOM 604/605, ELECTRO-OFFICETEL, 16-58,
3GA, HANGANG-RO, YONGSAN-KU, SEOUL
KOREA
PHONE : +822 - 3232 - 155
FAX : +822 - 3232 - 154

SHOCK, FIRE HAZARD SERVICE TEST :

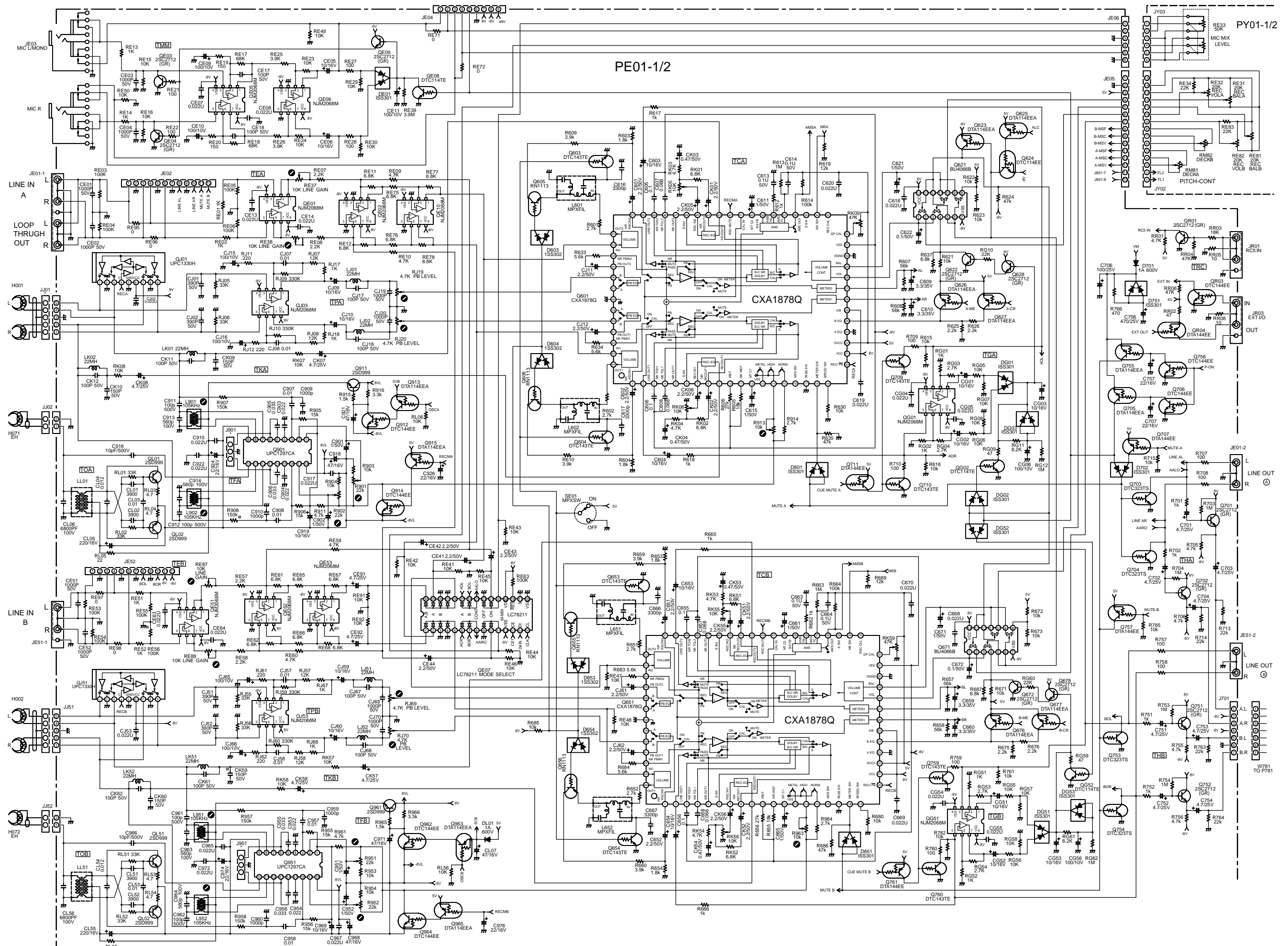
CAUTION : After servicing this appliance and prior to returning to customer, measure the resistance between either primary AC cord connector pins (with unit NOT connected to AC mains and its Power switch ON), and the face or Front Panel of product and controls and chassis bottom.

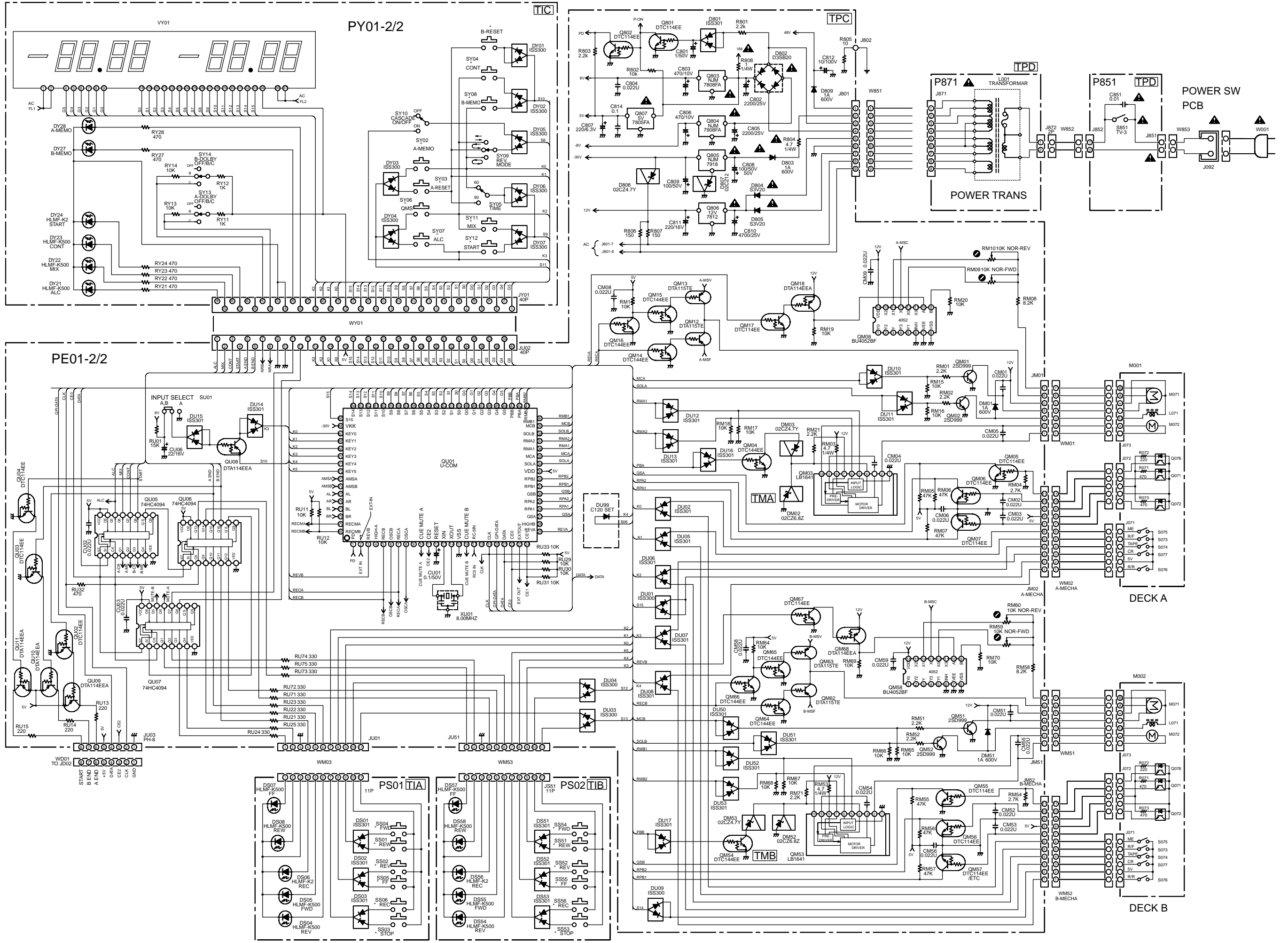
Any resistance measurement less than 1 Megohms should cause unit to be repaired or corrected before AC power is applied, and verified before it is return to the user/customer.

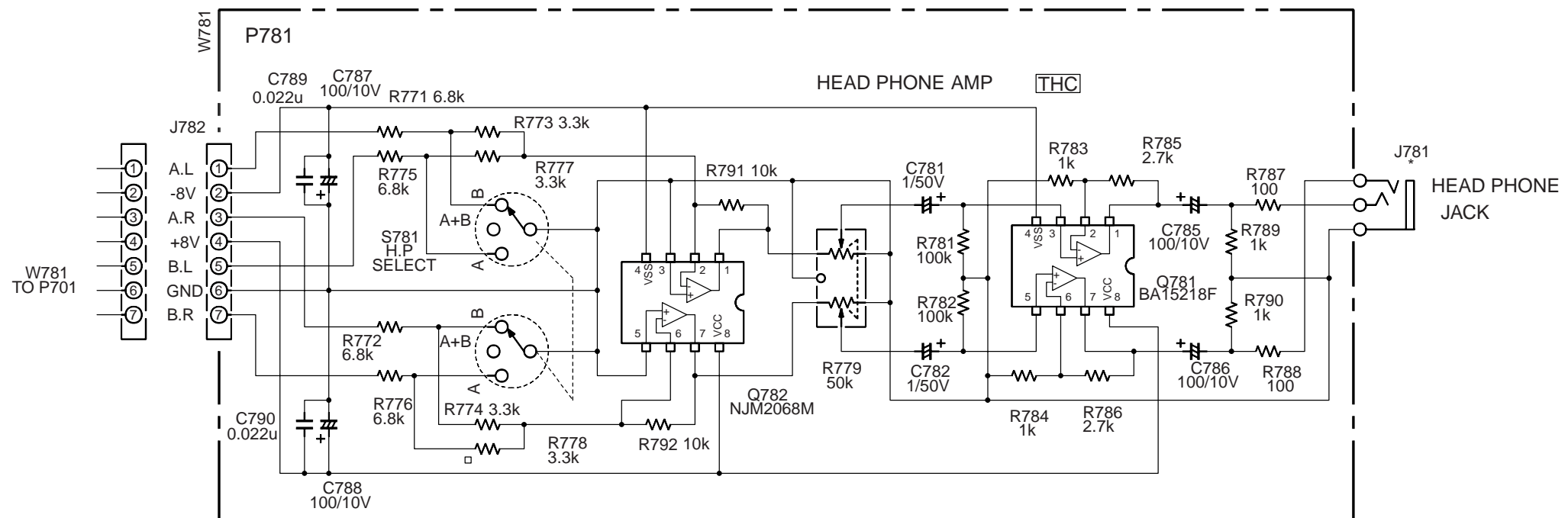
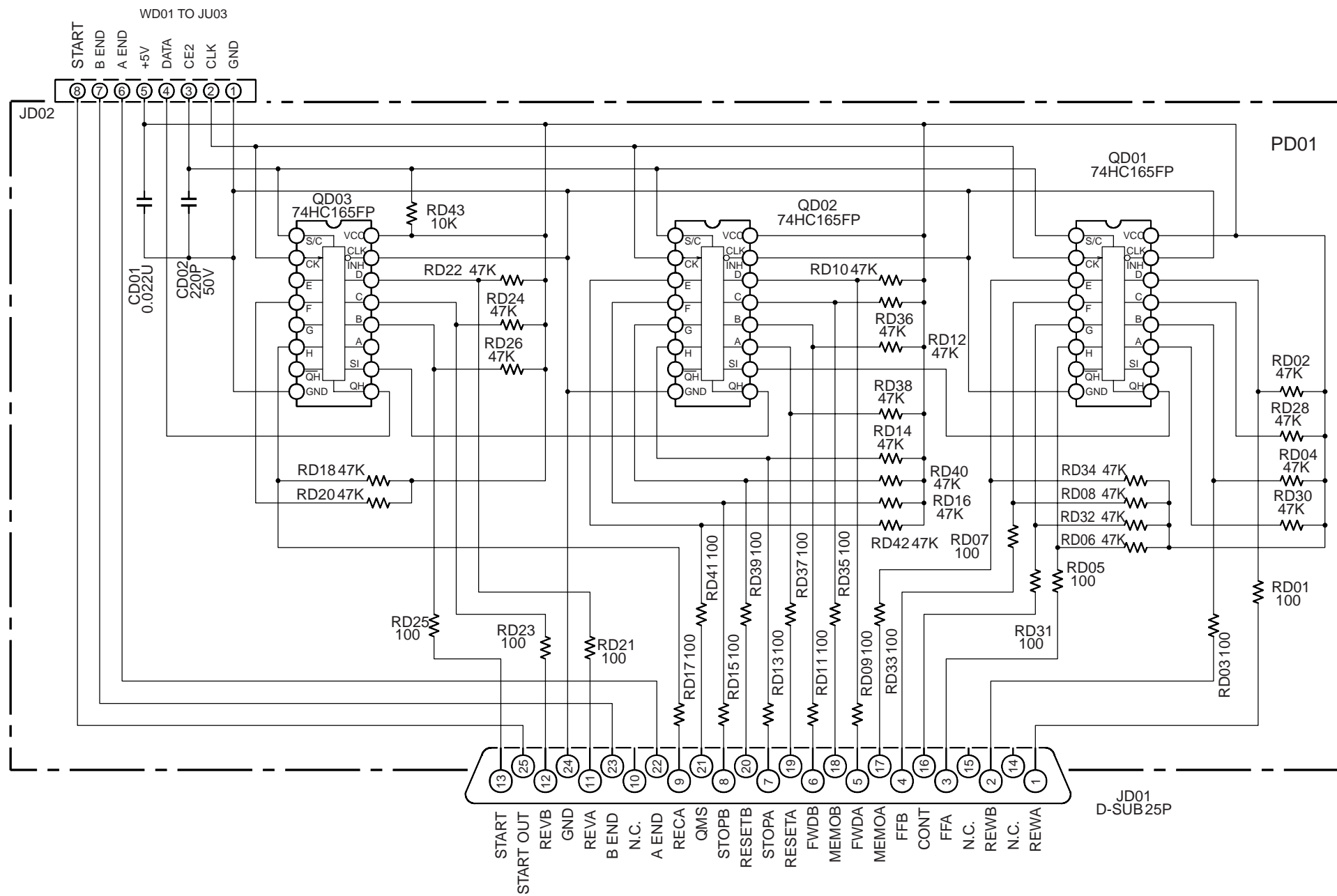
Ref. UL Standard No. 1492.

In case of difficulties, do not hesitate to contact the Technical Department at above mentioned address.

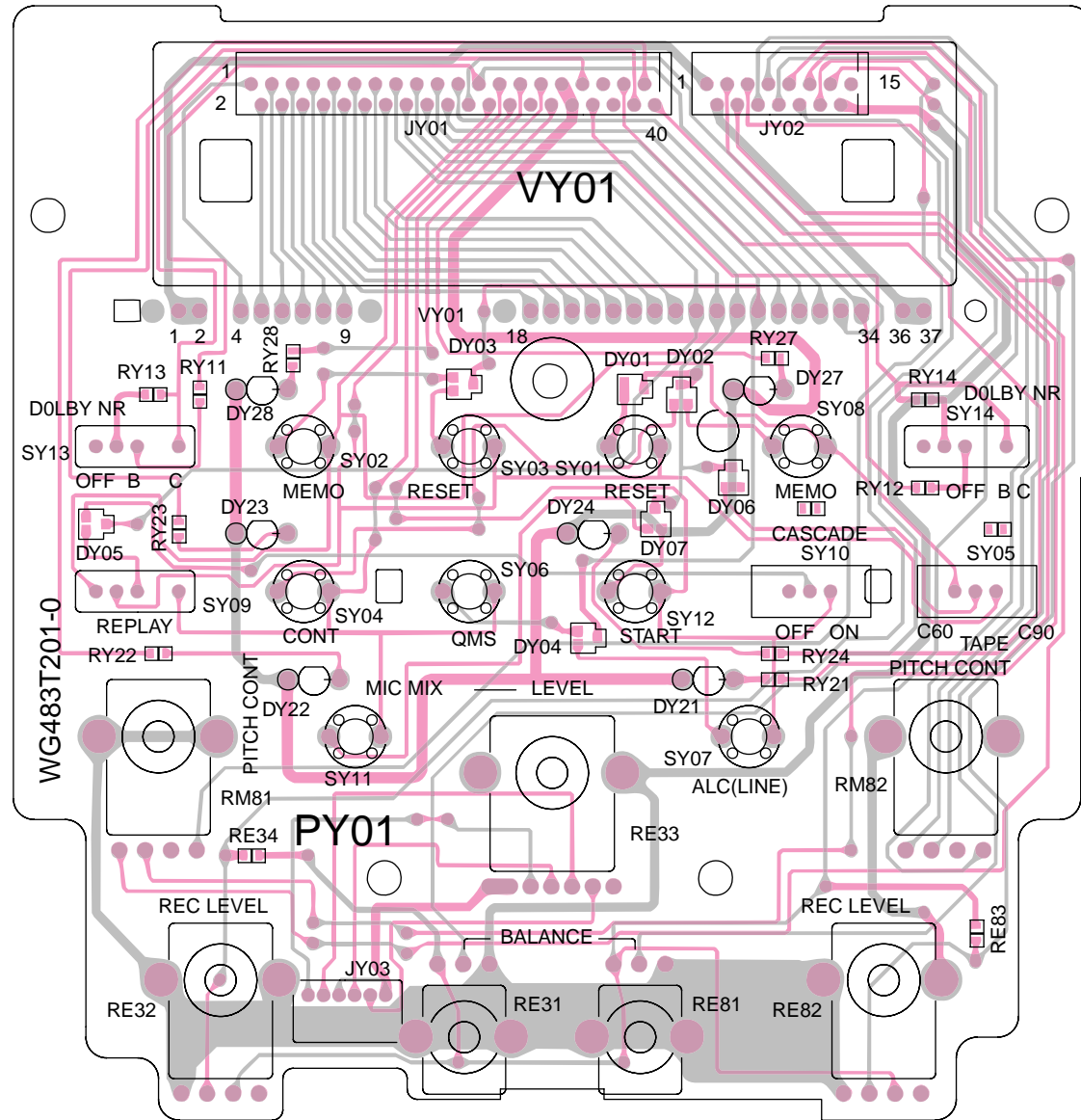
1. SCHEMATIC DIAGRAM AND PARTS LOCATION (Pattern Side)







PY01



2. DIFFERENCE PARTS LIST

PCB NO	POS. NO	CODE PMD511	CODE PMD511G	DESCRIPTION
	001B	479T248510	479T248520	FRONT AL PANEL ASSY
	002B	479T248010	N.A.	FRONT AL. PANEL
	002G	456T105200	N.A.	MAIN CHASSIS
	031B	479T270010	N.A.	MODE BUTTON
	034B	479T154010	N.A.	KNOB FOR DOLBY/REV.
PD01	RD19	NN05101610	N.A.	100 OHM ±5% 1/16W
PD01	RD27	NN05101610	N.A.	100 OHM ±5% 1/16W
PD01	RD29	NN05101610	N.A.	100 OHM ±5% 1/16W
PE01	C681	EJ10601610	N.A.	10µF 16V
PE01	R631	NN05272610	N.A.	2.7k OHM ±5% 1/16W
PE01	R632	NN05272610	N.A.	2.7k OHM ±5% 1/16W
PE01	R681	NN05272610	N.A.	2.7k OHM ±5% 1/16W
PE01	R682	NN05272610	N.A.	2.7k OHM ±5% 1/16W
PE01	RM11	NN05223610	N.A.	22k OHM ±5% 1/16W
PE01	RM12	RA01030780	N.A.	TRIM RES. 10k OHM
PE01	RM13	RA01030780	N.A.	TRIM RES. 10k OHM
PE01	RM61	NN05223610	N.A.	22k OHM ±5% 1/16W
PE01	RM62	RA01030780	N.A.	TRIM RES. 10k OHM
PE01	RM63	RA01030780	N.A.	TRIM RES. 10k OHM
PE01	D655	HZ30025050	N.A.	02CZ10Y 10V ZENER
PE01	Q602	BA21102000	N.A.	DTC114EE RN1102 10K-10K
PE01	Q607	BA12113000	N.A.	DTA144TE RN2123 UN9110
PE01	Q608	BA12113000	N.A.	DTA144TE RN2123 UN9110
PE01	Q652	BA21102000	N.A.	DTC114EE RN1102 10K-10K
PE01	Q657	BA12113000	N.A.	DTA144TE RN2123 UN9110
PE01	Q658	BA12113000	N.A.	DTA144TE RN2123 UN9110
PE01	Q659	BA21110000	N.A.	RN1110/DTC143TE
PE01	QM19	BA21102000	N.A.	DTC114EE RN1102 10K-10K
PE01	QM20	BA12102000	N.A.	DTA114EE RN2102 10K-10K
PE01	QM69	BA21102000	N.A.	DTC114EE RN1102 10K-10K
PE01	QM70	BA12102000	N.A.	DTA114EE RN2102 10K-10K
PE01	QU01	HU479TT00F	*HS479TT0R	TMP87PS71F 60K BYTE OTP PROGRAMMED
PY01	SY05	SP01013310	SS01020470	SSS312
PY01	SY10	SP01013310	N.A.	TACT SW. SKQNAEH/5MM 160GF

PCB(PY01) PARTS LIST

PCB NO	POS. NO	PARTS CODE	DESCRIPTION
PY01	RE31	RK02031070	A-CH REC BAL
PY01	RE32	RK02031080	A-CH REC LEVEL RK11K114 ALPS
PY01	RE33	RM02030540	A/B CH MIC MIX LEVEL
PY01	RE34	NN05223610	22k OHM ±5% 1/16W
PY01	RE81	RK02031070	B-CH REC BAL
PY01	RE82	RK02031080	B-CH REC LEVEL RK11K114 ALPS
PY01	RE83	NN05223610	22k OHM ±5% 1/16W
PY01	RM81	RK05020560	PITCH CONT RK11K114 W-CLIK/TAP
PY01	RM82	RK05020560	PITCH CONT RK11K114 W-CLIK/TAP
PY01	RY11	NN05102610	1k OHM ±5% 1/16W
PY01	RY12	NN05102610	1k OHM ±5% 1/16W
PY01	RY13	NN05103610	10k OHM J 1/16W
PY01	RY14	NN05103610	10k OHM J 1/16W
PY01	RY21	NN05471610	470 OHM J 1/16W
PY01	RY22	NN05471610	470 OHM J 1/16W
PY01	RY23	NN05471610	470 OHM J 1/16W
PY01	RY24	NN05471610	470 OHM J 1/16W
PY01	RY25	NN05471610	470 OHM J 1/16W
PY01	RY26	NN05471610	470 OHM J 1/16W
PY01	RY27	NN05471610	470 OHM J 1/16W
PY01	RY28	NN05471610	470 OHM J 1/16W
PY01	DY01	HZ21006000	DIODE DAP202U 1SS300
PY01	DY02	HZ21006000	DIODE DAP202U 1SS300
PY01	DY03	HZ21006000	DIODE DAP202U 1SS300
PY01	DY04	HZ21006000	DIODE DAP202U 1SS300
PY01	DY05	HZ21006000	DIODE DAP202U 1SS300
PY01	DY06	HZ21006000	DIODE DAP202U 1SS300
PY01	DY07	HZ21006000	DIODE DAP202U 1SS300
PY01	DY21	HI10008340	LED HLMF-K500 GRN ALC
PY01	DY22	HI10008340	LED HLMF-K500 GRN MIC-MIX
PY01	DY23	HI10008340	LED HLMF-K500 GRN CONT
PY01	DY24	HI10005340	LED HLMF-K200 RED A+B
PY01	DY25	HI10005340	LED HLMF-K200 RED NORM-SPEED
PY01	DY26	HI10005340	LED HLMF-K200 RED HIGH-SPEED
PY01	DY27	HI10008340	LED HLMF-K500 GRN B-MEMO
PY01	DY28	HI10008340	LED HLMF-K500 GRN A-MEMO
PY01	SY01	SP01013310	TACT SW. SKQNAEH/5MM 160GF
PY01	SY02	SP01013310	TACT SW. SKQNAEH/5MM 160GF
PY01	SY03	SP01013310	TACT SW. SKQNAEH/5MM 160GF
PY01	SY04	SP01013310	TACT SW. SKQNAEH/5MM 160GF
PY01	SY05	SS01020470	SSS312
PY01	SY06	SP01013310	TACT SW. SKQNAEH/5MM 160GF
PY01	SY07	SP01013310	TACT SW. SKQNAEH/5MM 160GF
PY01	SY08	SP01013310	TACT SW. SKQNAEH/5MM 160GF
PY01	SY09	SS01030110	SLIDE SW REV-MODE REPEAT
PY01	SY10	SS01020470	SSS312
PY01	SY11	SP01013310	TACT SW. SKQNAEH/5MM 160GF
PY01	SY12	SP01013310	TACT SW. SKQNAEH/5MM 160GF
PY01	SY13	SS01030110	SLIDE SW B-CH DOLBY OFF-B-C
PY01	SY14	SS01030110	SLIDE SW A-CH DOLBY OFF-B-C
PY01	VY01	HQ30605060	FL FIP10CAM6 NEC